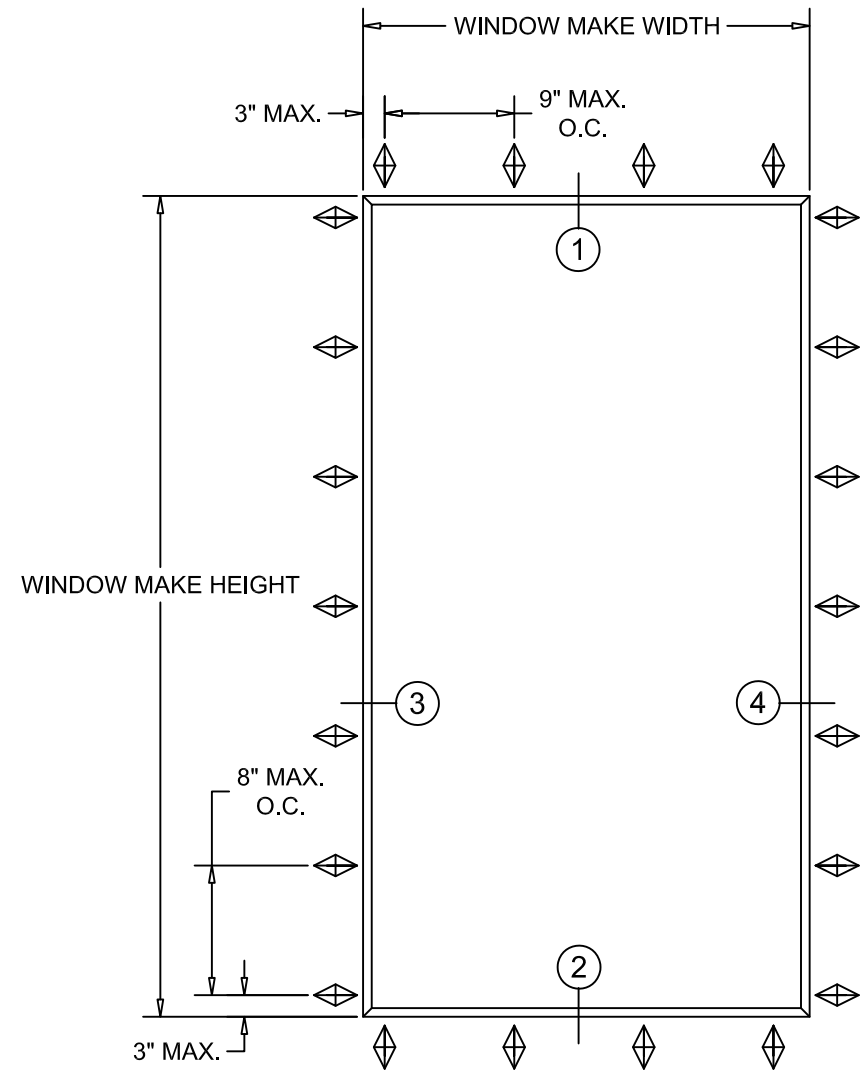


# NOTE: TYPICAL C700/C705 TWO TONE FIXED WINDOW - NAIL FIN INSTALLATION



Maximum				
FW	FH	DLO-W	DLO-H	Pressure
60"	99"	56 3/4"	95 3/4"	± 60 PSF

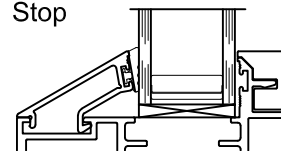
**Mark A**

1" Insulating Glass  
See Sheet 4 of 4 for Detail

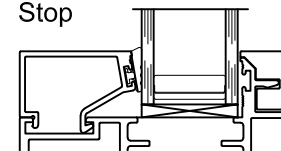
### Notes:

1. Installations depicted satisfy the requirements of the 8th Edition (2023) of the Florida Building Code for Wind Pressures and Overall Sizes shown.
2. As Tested Anchor spacings are shown on the Elevations.
3. Wood Framing are assumed to Southern Pine (G=0.55) or denser.
4. Metal stud frames are assumed to be a minimum 16 gauge 33 KSI Steel.
5. Concrete masonry (CMU) shall conform to ASTM C90.
6. Concrete shall be minimum  $f_c = 3,000$  psi.
7. Wood Screws shall meet requirements of ANSI/ASME B18.6.1.
8. TEKS screws shall be ASTM A510 Grade 1018 or equivalent.
9. Hilti Kwik-Con + anchors as specified in NOA 21-0628.20
10. Maximum Frame Shim Space is  $\frac{1}{4}$ " as shown. Shims shall be non-compressible load bearing type.
11. Exterior and Interior shall be sealed according to Shop Drawings.
12. Products shown are NOT Impact Resistant.
13. Not for use in High Velocity Hurricane Zone (HVHZ).
14. Sealing and flashing strategies and overall water infiltration performance of the installed product are by others and not addressed by this document.

C705  
Bevel  
Stop



C700  
SQUARE  
Stop



Standard 1" I.G.

Tanya A. Dolby, P.E.  
FL P.E. No. 93536  
Intertek – ATI  
130 Derry Ct. York, PA 17406  
(717) 764-7700  
Project: Q0214.02

**C700/C705 FIXED**  
**Two Tone**  
**Installation Instructions**

Project Name:

### GENERAL NOTES

QUAKER WINDOW PRODUCTS  
WILL NOT BE RESPONSIBLE  
FOR FIELD MEASUREMENT,  
QUANTITIES, & INSTALLATION  
DESIGN. CONTRACTOR MUST  
VERIFY ALL DIMENSIONS.

PHONE (573)-744-5211  
FAX (573)-744-5586

COMMERCIAL  
FAX (573)-744-5822  
www.quakerwindows.com

Scale: NONE

Sheet #: 1 of 4

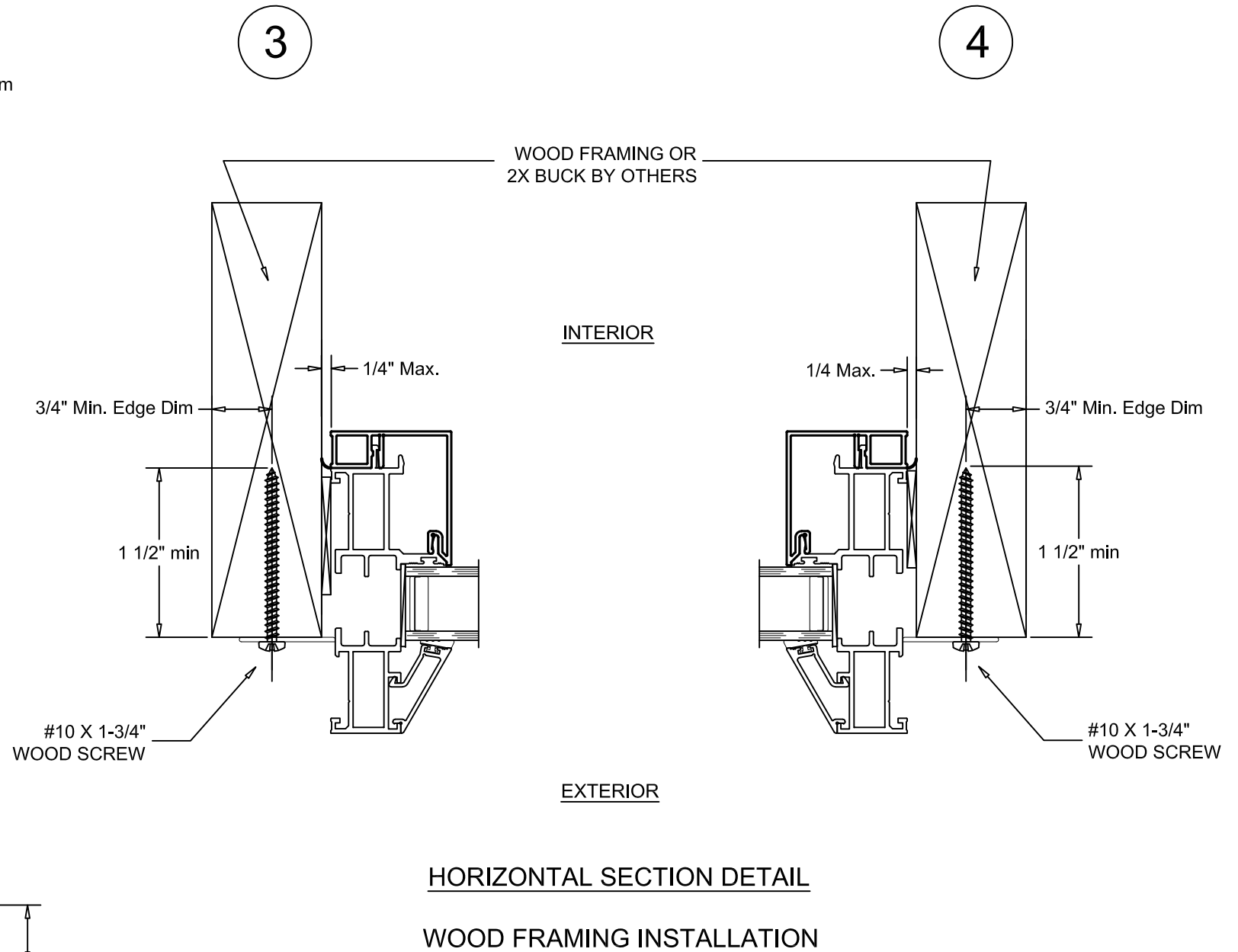
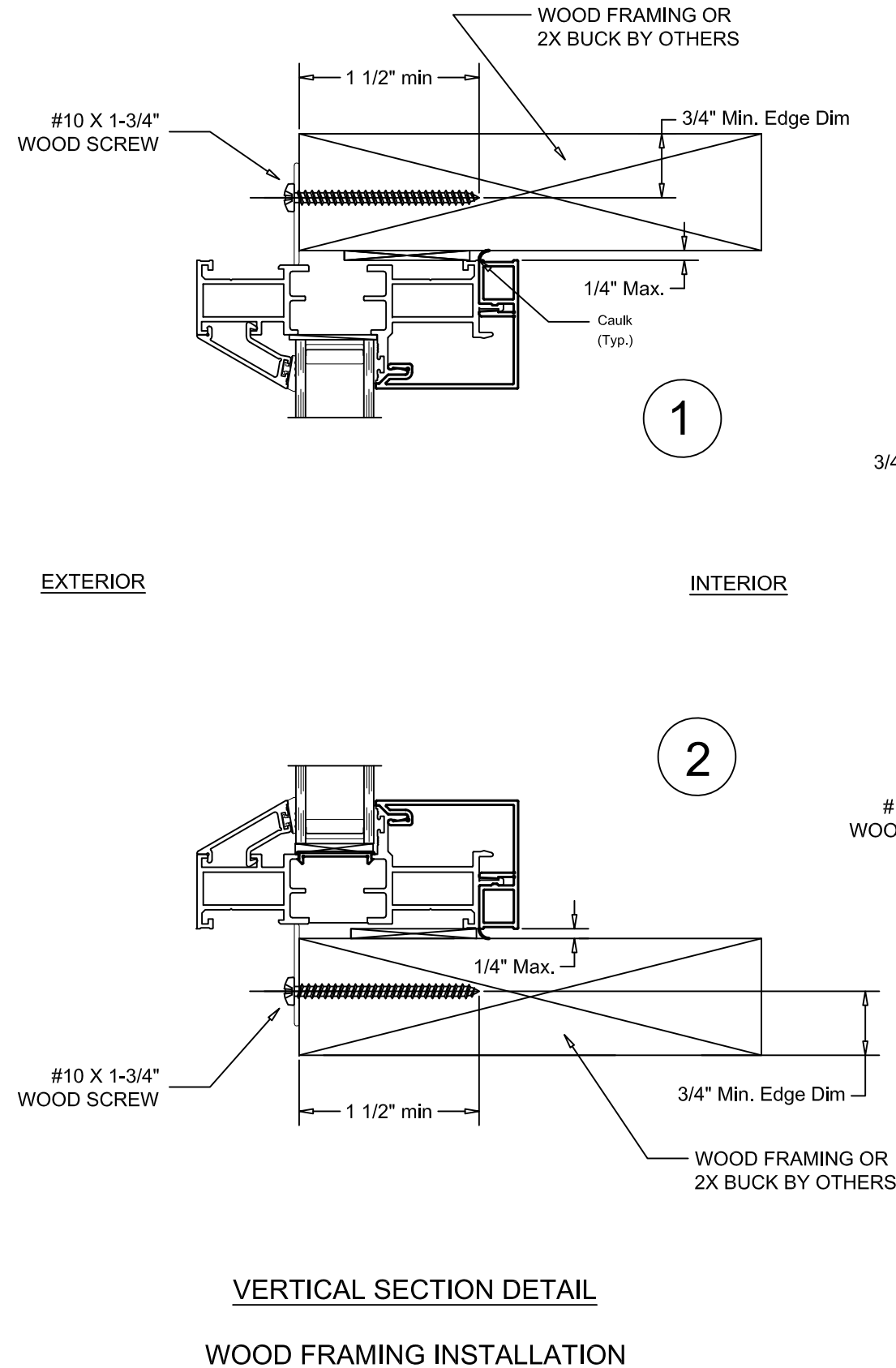


504 Highway 63 South  
Freeburg, MO 65035  
drafting@quakerwindows.com



Drawn By: Bud  
Date: 03-25-2024

# NOTE: TYPICAL C700/C705 TWO TONE FIXED WINDOW - NAIL FIN INSTALLATION



Project Name:  
**C700/C705 FIXED**  
**Two Tone**  
**Installation Instructions**

## GENERAL NOTES

QUAKER WINDOW PRODUCTS WILL NOT BE RESPONSIBLE FOR FIELD MEASUREMENT, QUANTITIES, & INSTALLATION DESIGN. CONTRACTOR MUST VERIFY ALL DIMENSIONS.

DESCRIPTION: COMMERCIAL

PHONE (573)-744-5211  
 FAX (573)-744-5586  
 www.quakerwindows.com

Scale: NONE

Sheet #: 2 of 4

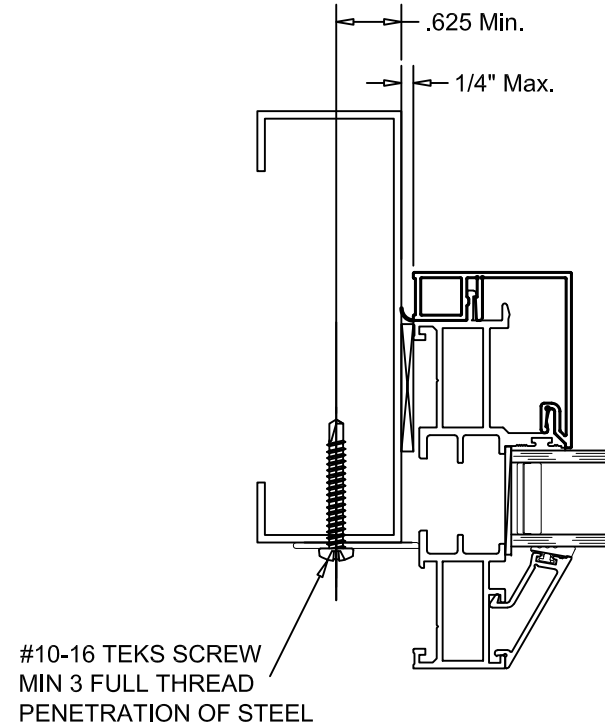
504 Highway 63 South  
 Freeburg, MO 65035  
 drafting@quakerwindows.com

Drawn By: Bud  
 Date: 03-25-2024

Tanya A. Dolby, P.E.  
 FL P.E. No. 93536  
 Intertek - ATI  
 130 Derry Ct. York, PA 17406  
 (717) 764-7700  
 Project: Q0214.02

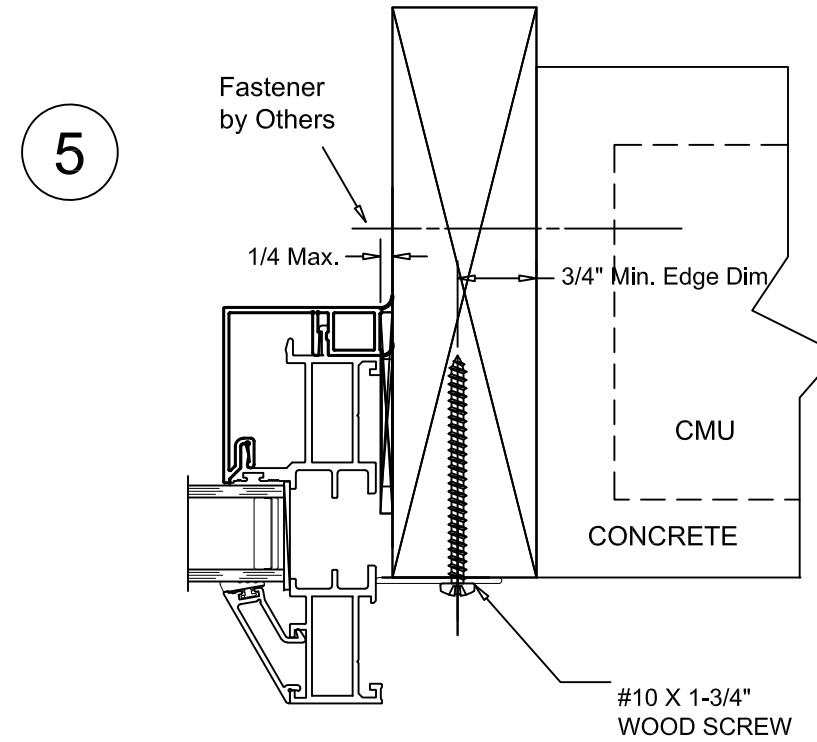
# NOTE: TYPICAL C700/C705 TWO TONE FIXED WINDOW - NAIL FIN INSTALLATION

INTERIOR



3

EXTERIOR



5

See Detail 4 on sheet 2 for wood anchorage

Tanya A. Dolby, P.E.  
FL P.E. No. 93536  
Intertek – ATI  
130 Derry Ct. York, PA 17406  
(717) 764-7700  
Project: Q0214.02

Project Name:  
**C700/C705 FIXED**  
**Two Tone**  
**Installation Instructions**

## GENERAL NOTES

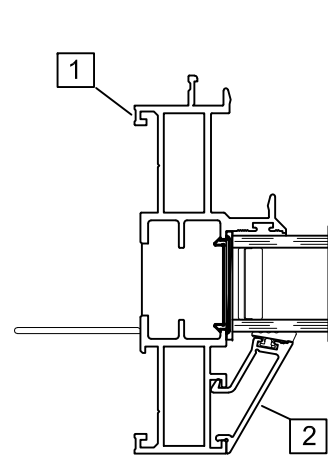
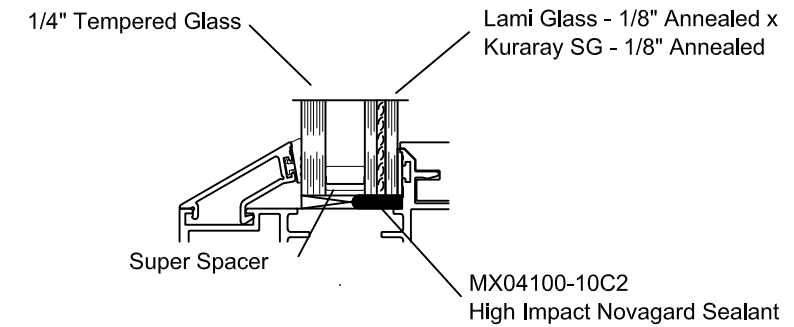
QUAKER WINDOW PRODUCTS WILL NOT BE RESPONSIBLE FOR FIELD MEASUREMENT, QUANTITIES, & INSTALLATION DESIGN. CONTRACTOR MUST VERIFY ALL DIMENSIONS.

PHONE (573)-744-5211 FAX (573)-744-5586 COMMERCIAL www.quakerwindows.com	Scale: NONE	Sheet #: 3 of 4
QUAKER COMMERCIAL WINDOW AND DOOR	504 Highway 63 South Freeburg, MO 65035 drafting@quakerwindows.com	
Drawn By: Bud	Date: 03-25-2024	

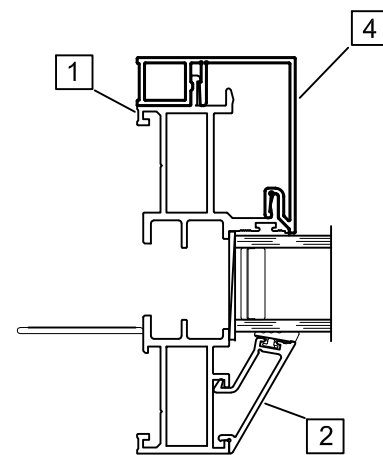
# NOTE: TYPICAL C700/C705 TWO TONE FIXED WINDOW - NAIL FIN INSTALLATION

Bill of Materials				
NO.	Description	Part Number	Material	Manufacturer
1	Frame w/ Nail Fin	23015	Aluminum 6063-T6	Tower Extrusions
2	Beveled Glazing Bead	23982	Aluminum 6063-T6	Tower Extrusions
3	Square Glazing Bead	23114	Aluminum 6063-T6	Tower Extrusions
4	Fixed Frame Cladding	23014	Aluminum 6063-T6	Tower Extrusions

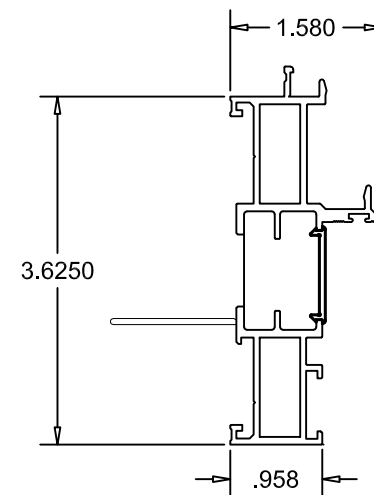
Tanya A. Dolby, P.E.  
 FL P.E. No. 93536  
 Intertek – ATI  
 130 Derry Ct. York, PA 17406  
 (717) 764-7700  
 Project: Q0214.02



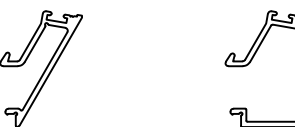
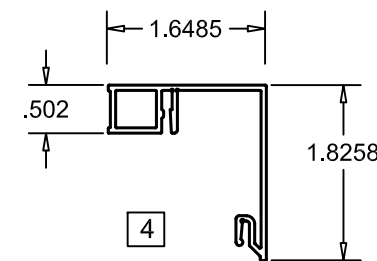
As Tested



C700/C705 - Two Tone Engineering



1



Standard 1" I.G.

2

C705

3

C700

## C700/C705 FIXED Two Tone Installation Instructions

Project Name:

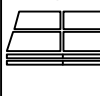
### GENERAL NOTES

Description:

QUAKER WINDOW PRODUCTS  
 WILL NOT BE RESPONSIBLE  
 FOR FIELD MEASUREMENT,  
 QUANTITIES, & INSTALLATION  
 DESIGN. CONTRACTOR MUST  
 VERIFY ALL DIMENSIONS.

PHONE (573)-744-5211  
 FAX (573)-744-5586  
 COMMERCIAL  
 FAX (573)-744-5822  
 www.quakerwindows.com

**QUAKER**  
 COMMERCIAL WINDOW AND DOOR



Scale: NONE  
 Sheet #: 4 of 4

504 Highway 63 South  
 Freeburg, MO 65035  
 drafting@quakerwindows.com

Drawn By: Bud  
 Date: 03-25-2024